



FOOD EQUIPMENT

SERVING THE FOOD INDUSTRY SINCE 1951

0.33 HORSEPOWER TOMATO SQUEEZER WITH PLASTIC COVER

Item: 11001

Model: TS-IT-0134



This model enables the extraction of large quantities of tomato puree, separating it from seeds and skin. The hopper, collector, and base are stainless steel; the worm and body are plastic with double hot tinning. TS-IT-0134 is the perfect model for any home or light production application. Made in Italy.



WARRANTY
PARTS AND LABOR



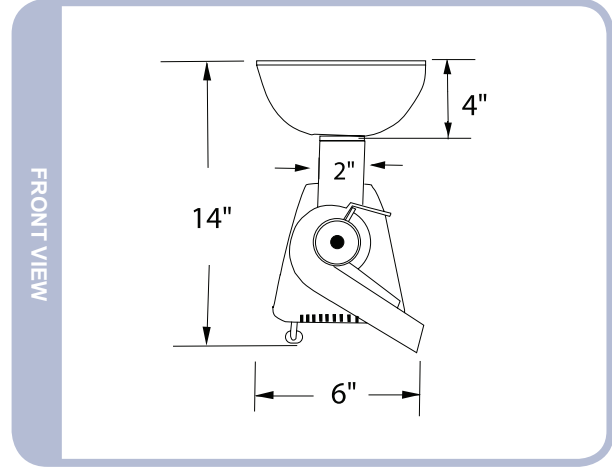
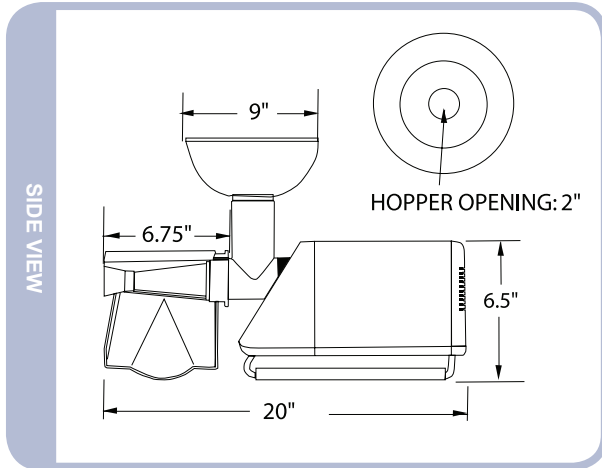
Authorized Dealer

FOOD EQUIPMENT

0.33 HORSEPOWER TOMATO SQUEEZER WITH PLASTIC COVER



TECHNICAL DRAWING WITH DIMENSIONS



DETAIL IMAGES



TECHNICAL SPECIFICATION

ITEM NUMBER	11001
MODEL	TS-IT-0134
DESCRIPTION	Electric
POWER	0.33 HP / 0.25 kW
WORM RPM	110
ELECTRICAL	110V/60Hz/1Ph
WEIGHT	10.56 lbs/ 4.8 kg
PACKAGING WEIGHT	11 lbs/ 5 kg
DIMENSIONS (DWH)	20" x 6" x 14" / 508 x 152 x 356 mm
PACKAGING DIMENSIONS	19" x 13.5" x 8" / 480 x 343 x 200 mm

NEMA
5 - 15
125 VAC / 15 AMP

OMCAN INC.

Telephone: 1-800-465-0234
 Fax: (905) 607-0234
 Email: sales@omcan.com
 Website: www.omcan.com



Follow us to keep up to date with the latest news and offers

